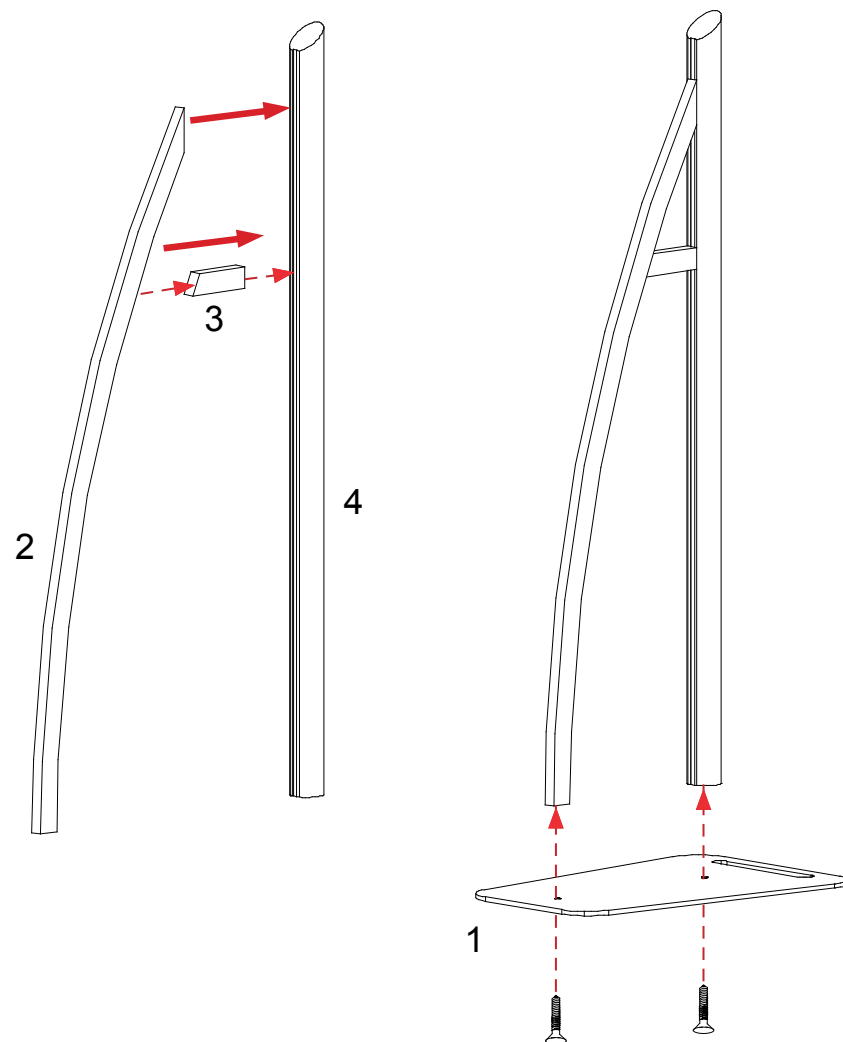


## Order #XXXXX - ECO-12K iPad Stand

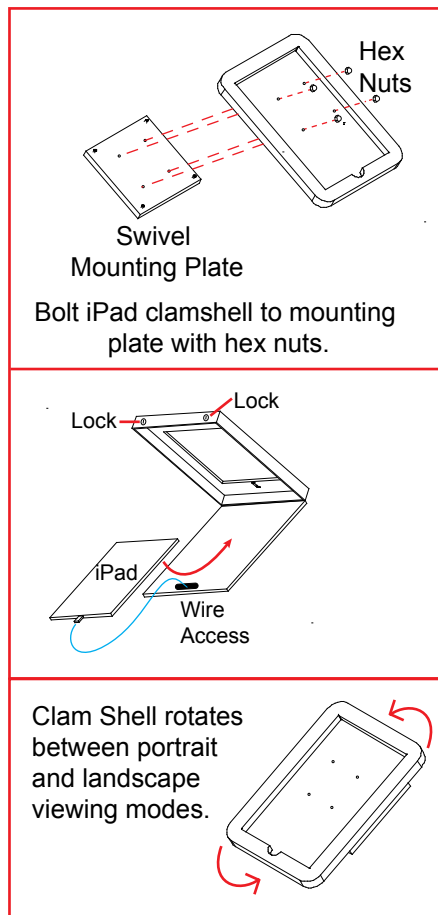
Item	Qty.	Description
1	1	Base Plate
2	1	42.639”h Z31 Curved Vertical Extrusion
3	1	4”w Z32 Horizontal Extrusion
4	1	44.417”h RSG510 Round Vertical Extrusion
5	1	iPad Swivel Stop Mount
6	1	iPad Clamshell Case.

### Steps:

- 1) Connect vertical extrusions [2] & [4] together using horizontal extrusion [3].
- 2) Attach base plate using provided bolts. See detail.
- 3) Connect iPad Swivel Stop Mount to vertical extrusion [4].
- 4) Attach iPad Clamshell using provided hex nuts. See detail.
- 5) Connect Graphic Infill.



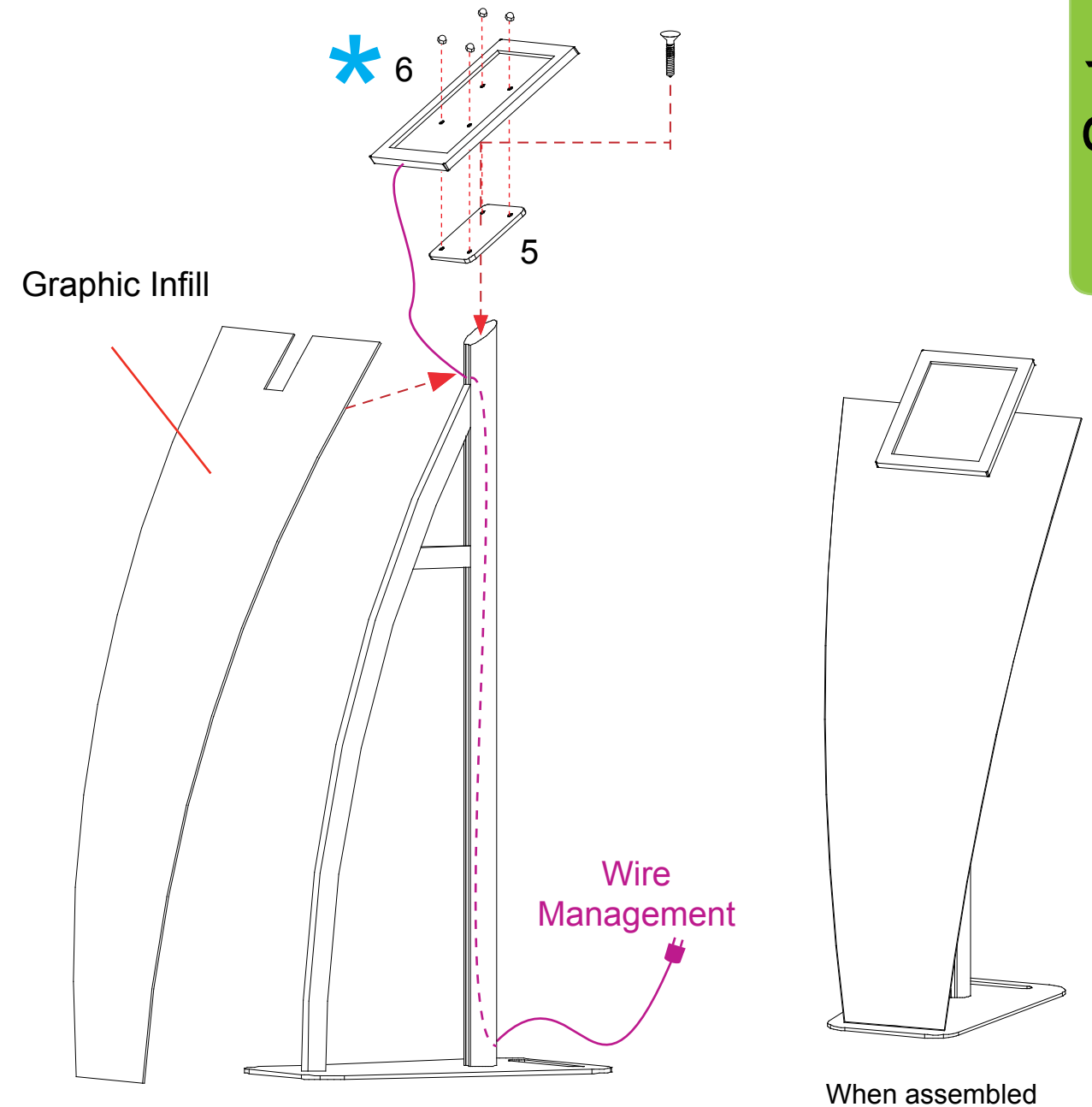
### \* Swivel iPad Clamshell Attachment



### Wire Management for iPad



Feed iPad charging cord through holes from top to bottom of post as shown.



## General Setup Instructions

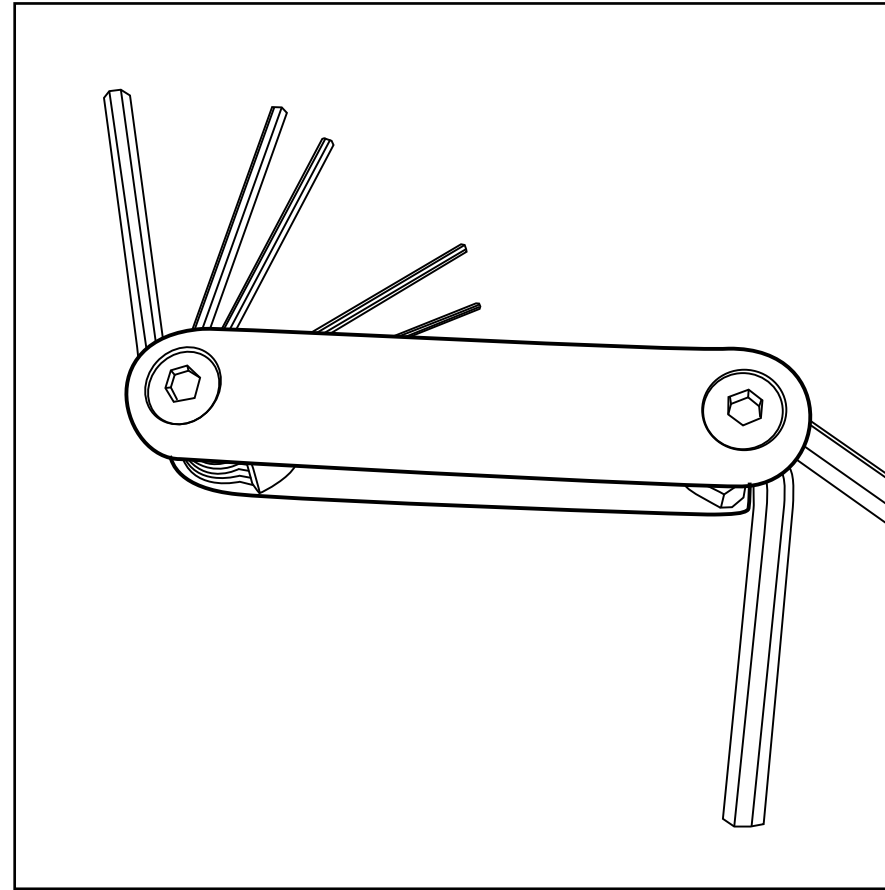
- The setup instructions are created specifically for your configuration.
- Setup instructions are laid out sequentially in levels, including exploded views and a logical series of steps for assembly. We encourage you to study the instructions before attempting to assemble your exhibit.

## Cleaning and Packing

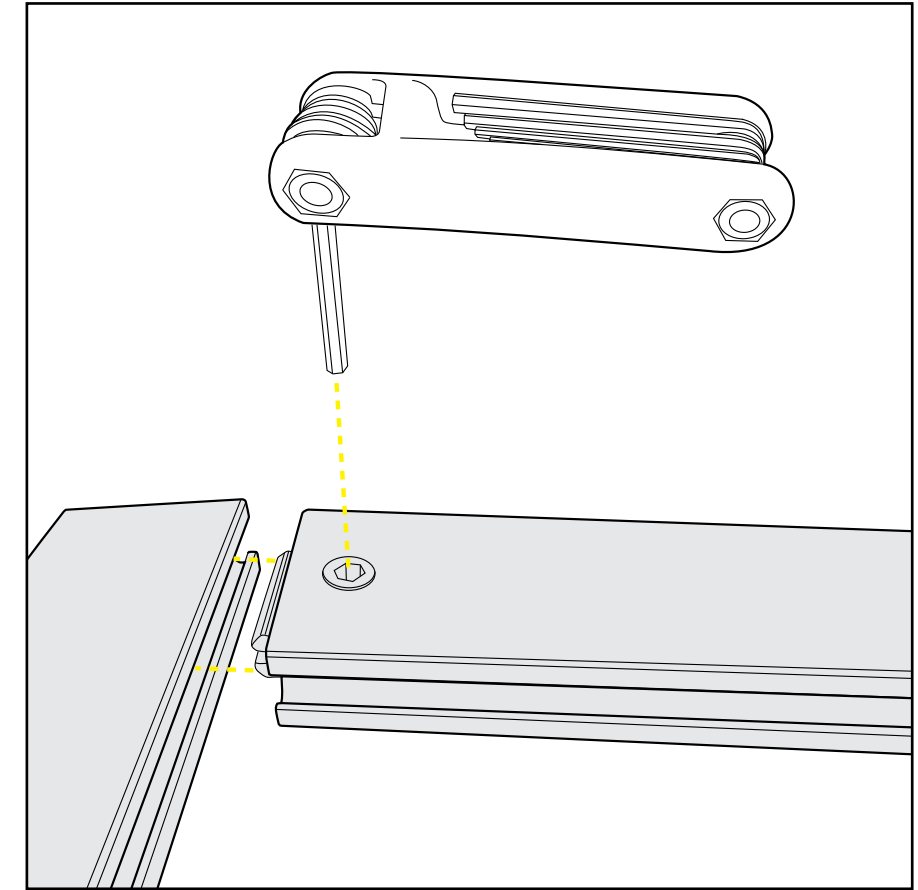
- Use non-abrasive cleaners when cleaning extrusions or ECO Glass inserts.
- Use mild cleaners and soft materials such as cotton to clean all laminates.
- Keep exhibit components away from extreme heat and long exposure to sun light. This will prevent warping and fading.
- Retain all packing material for ease of re-packing. This protects the exhibit components and keeps each part organized.

## Disassembling

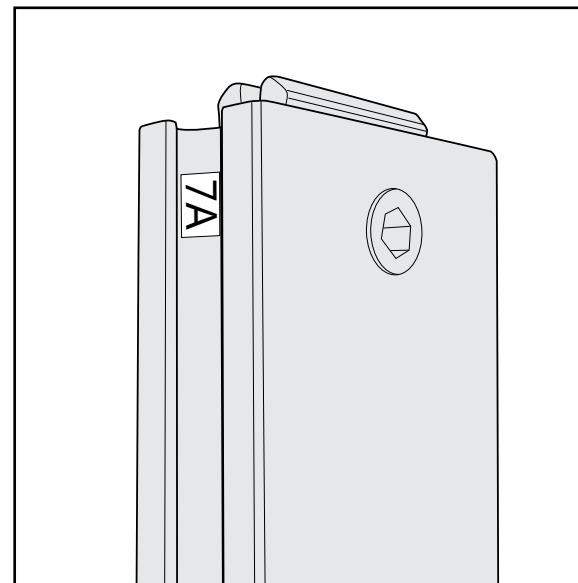
- When disassembling exhibit, tighten all setscrews to prevent loss of hardware in the shipping process.



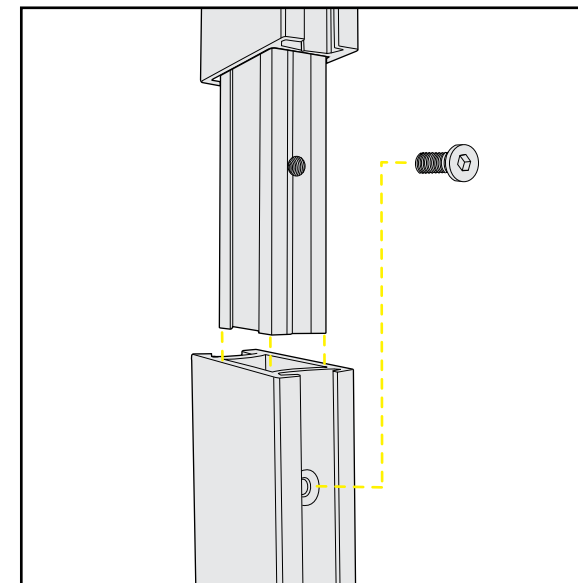
Hex Tool for Assembling Exhibit



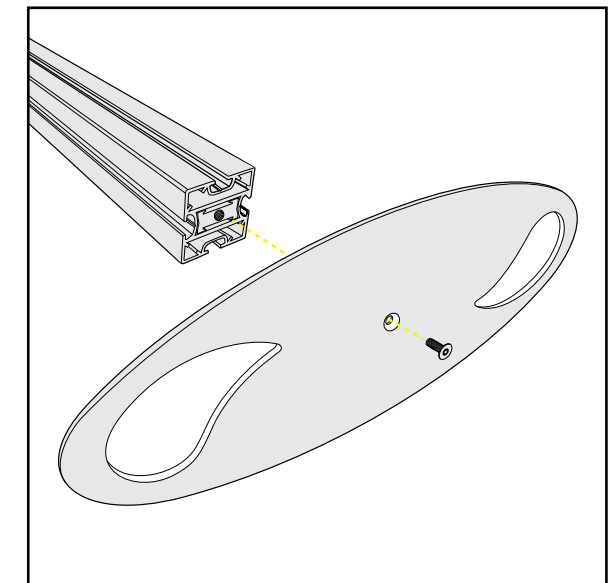
Extrusion Lock Connectors



Numbering Instructions for Setups/Packing



Inline Connection between Extrusions



Baseplate Connection for Vertical Extrusions